

# Ray Square RL-RAY-SQ-60-SS

Recessed Light

Product Finishes: ■ ■



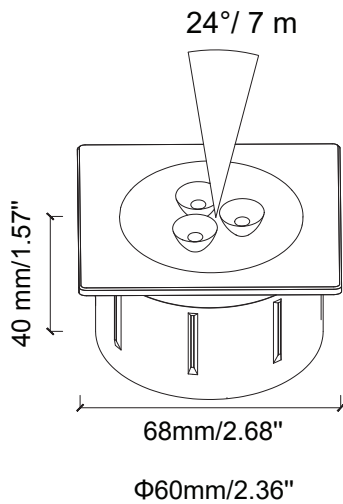
## Specifications:

**Voltage:** 12V AC  
**Wattage:** 1.5  
**Volt Amps:** 2.5  
**Lumens:** 100  
**Color Temp:** 2700k  
**IP Rating:** 67  
**CRI:** 93  
**Light Source:** Integrated

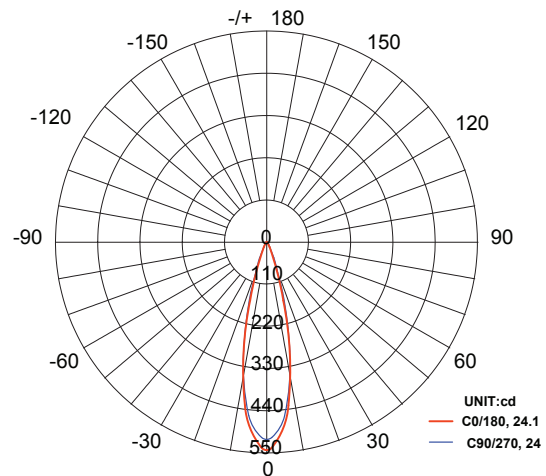
**Material:** Polycarbonate  
**Ring Material:** Stainless steel  
**Cable Length:** 36"  
**Lux (lx):** 11 lx  
**Candelas (cd):** 542 cd  
**Rated Life:** 50,000 hours  
**Warranty:** 7-year comprehensive  
**Dimmable:** No  
**Color-Changing:** No

**Product Uses:**  
 Walls, Fences

**Accessories:**  
 Fang



Max. Luminous intensity : 542 cd



AVERAGE BEAM ANGLE (50%): 24 DEG

DISTANCE (FT)	CENTER BEAM (FC) Eavg/Emax	ILLUMINANCE - CONE OF LIGHT	BEAM DIAMETER (FT)
3.25	32.84/49.57		1.37
6.25	8.21/13.39		2.73
10	3.74/5.65		4.17
13	2.05/3.10		5.43
16.5	1.34/2.01		6.93
19.5	0.91/1.39		8.16
23	0.68/1.02		9.63

