

# Diamond RL-DIAMOND-60-SS

Recessed Light

Product Finishes:   No Ring



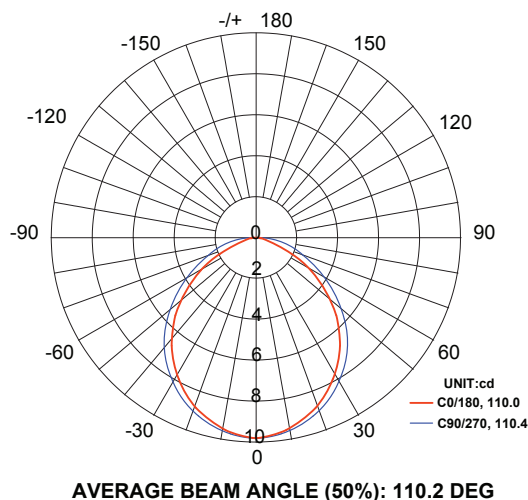
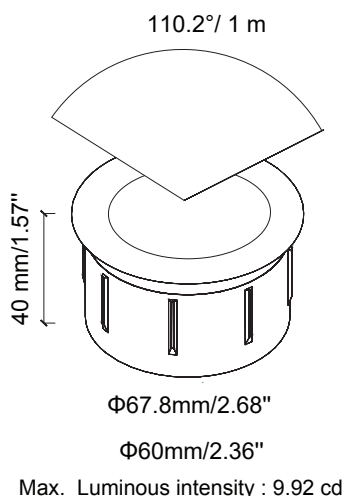
## Specifications:

**Voltage:** 12V AC  
**Wattage:** 0.4  
**Volt Amps:** 0.7  
**Lumens:** 16  
**Color Temp:** 2700k  
**IP Rating:** 67  
**CRI:** 93  
**Light Source:** Integrated

**Material:** Polycarbonate  
**Ring Material:** Stainless steel  
**Cable Length:** 36"  
**Lux (lx):** 2.5 lx  
**Candelas (cd):** 9.92 cd  
**Rated Life:** 50,000 hours  
**Warranty:** 7-year comprehensive  
**Dimmable:** No  
**Color-Changing:** No

**Product Uses:**  
 Pavers, Decks, Stairs,  
 Driveways, Risers, Concrete

**Accessories:**  
 Fang



DISTANCE (FT)	CENTER BEAM (FC) Eavg/Emax	ILLUMINANCE - CONE OF LIGHT	BEAM DIAMETER (FT)
1	4.14/17.70		0.28
1.5	0.77/3.33		0.42
3	0.25/0.83		0.87
5	0.13/0.41		1.47
6.5	0.07/0.23		1.85

