

Diamond Square RL-DIAMOND-SQ-60-SS

Recessed Light

Product Finishes: ■ ■



Specifications:

Voltage: 12V AC

Wattage: 0.4

Volt Amps: 0.7

Lumens: 16

Color Temp: 2700k

IP Rating: 67

CRI: 93

Light Source: Integrated

Material: Polycarbonate

Ring Material: Stainless steel

Cable Length: 36"

Lux (lx): 2.5 lx

Candelas (cd): 9.92 cd

Rated Life: 50,000 hours

Warranty: 7-year comprehensive

Dimmable: No

Color-Changing: No

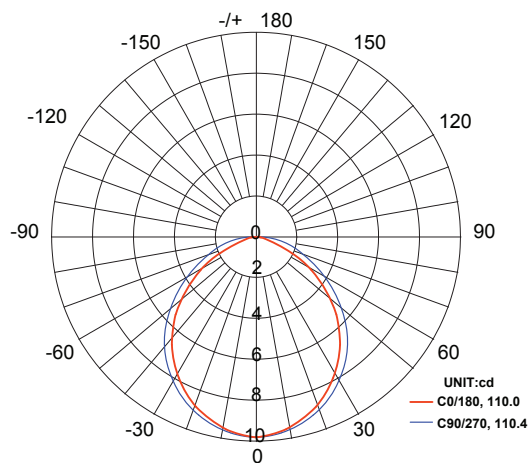
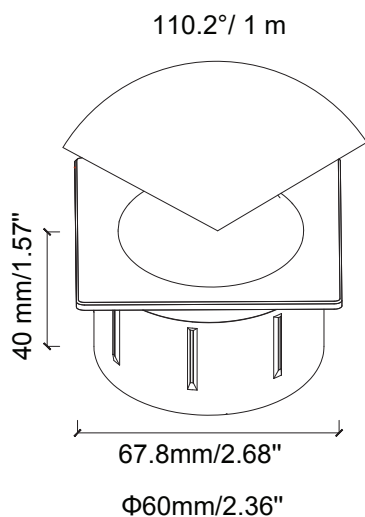
Product Uses:

Pavers, Decks, Stairs,

Driveways, Risers, Concrete

Accessories:

Fang



AVERAGE BEAM ANGLE (50%): 110.2 DEG

Max. Luminous intensity : 9.92 cd

DISTANCE (FT)	CENTER BEAM (FC) Eavg/Emax	ILLUMINANCE - CONE OF LIGHT	BEAM DIAMETER (FT)
1	4.14/17.70		0.28
1.5	0.77/3.33		0.42
3	0.25/0.83		0.87
5	0.13/0.41		1.47
6.5	0.07/0.23		1.85

