

# Diamond Square RL-DIAMOND-SQ-60-BK

Recessed Light

Product Finishes: ■ ■



## Specifications:

**Voltage:** 12V AC

**Wattage:** 0.4

**Volt Amps:** 0.7

**Lumens:** 16

**Color Temp:** 2700k

**IP Rating:** 67

**CRI:** 93

**Light Source:** Integrated

**Material:** Polycarbonate

**Ring Material:** Anodized aluminum

**Cable Length:** 36"

**Lux (lx):** 2.5 lx

**Candelas (cd):** 9.92 cd

**Rated Life:** 50,000 hours

**Warranty:** 7-year comprehensive

**Dimmable:** No

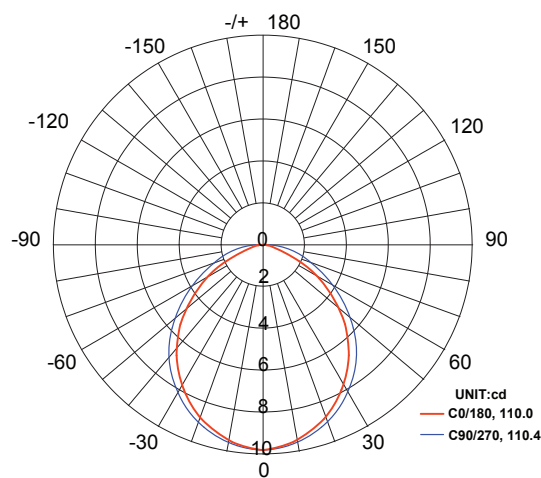
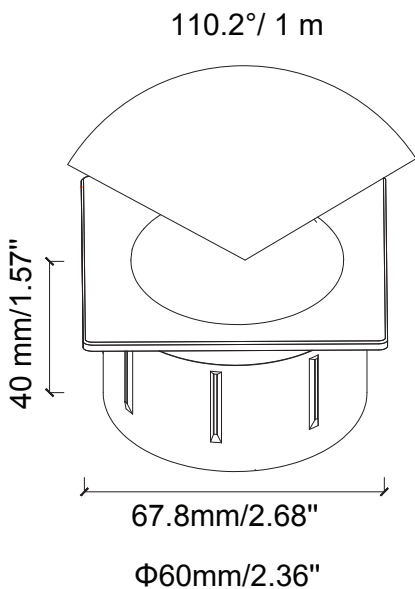
**Color-Changing:** No

## Product Uses:

Pavers, Decks, Stairs,  
Driveways, Risers, Concrete

## Accessories:

Fang



**AVERAGE BEAM ANGLE (50%): 110.2 DEG**

Max. Luminous intensity : 9.92 cd

DISTANCE (FT)	CENTER BEAM (FC) Eavg/Emax	ILLUMINANCE - CONE OF LIGHT	BEAM DIAMETER (FT)
1	4.14/17.70		0.28
1.5	0.77/3.33		0.42
3	0.25/0.83		0.87
5	0.13/0.41		1.47
6.5	0.07/0.23		1.85

