



Before using this Krack Hog,  
study and understand entire  
Owner's Manual.

Serial Number \_\_\_\_\_



# Krack Hog Block & Paver Splitter Owner's Manual



**Krack Hog**  
**EZG MANUFACTURING**  
**1-800-417-9272**

*1 EZG Manufacturing*

*1-800-417-9272 ezgmfg.com*

**EZG Manufacturing**  
**405 Watertown Road**  
**Waterford, Ohio 45786**  
**(740) 749-3512 or 1-800-417-9272**  
**Fax (740) 962-2037 [www.ezgmfg.com](http://www.ezgmfg.com)**

*Revision Number-002 12/06/2021 - Present*

# TABLE OF CONTENTS

INTRODUCTION.....	3
ABOUT THIS MANUAL.....	3
GENERAL INFORMATION.....	3
SAFETY INFORMATION.....	3
SAFETY PRECAUTIONS. ....	4-5
CALIFORNIA PROPOSITION 65 WARNING.....	6
SETUP & OPERATTON INSTRUCTIONS. ....	6-9
DAILY MAINTENANCE.....	9
TROUBLESHOOTING THE JACK.....	9
OBTAINING SPARE PARTS.....	10
SERVICE RECORDS.....	10
WARNING LABELS AND LOCATIONS.....	11-13
KRACK HOG FRAME ASSEMBLY & PARTS BREAKDOWN.....	14
NOTES .....	15
WARRANTY.....	16
WARRANTY REGISTRATION.....	17

# INTRODUCTION

Congratulations on purchasing one of the finest pieces of hardscape equipment on the market today! If this is your first EZG Manufacturing product, you will not be disappointed. If you have previously owned an EZG Manufacturing product, you will find the same high quality and dependability that you have come to expect from EZG Manufacturing.

## ABOUT THIS MANUAL

The purpose of this manual is to inform the owner/employer/and the operator, how to safely operate this piece of equipment, and make them aware of any hazards. It also contains important information regarding assembly, set up, operation, and maintenance. It is the Owner/Employers responsibility to make sure that anyone who operates this machine understands all safety warnings. If you do not understand any items in this manual, please contact the dealer where this product was purchased, or the manufacturer at the number listed throughout this manual. If you have any suggestions about how to make this manual easier to understand, contact the manufacturer. Keep this manual available for reference wherever this piece of equipment is being used and make it available to any operators.

## GENERAL INFORMATION

Illustrations in this manual may show details or components that may not be the same as your machine. Continuing improvements to the design of this machine may have caused changes that are not included in this manual. The information in this document is subject to change without notice.

## SAFETY INFORMATION

The following safety symbols and signal words will be used throughout this manual and on the product, for your safety and the safety of others, please become familiar with their meaning and heed their warnings.



**This symbol, either used alone or with a signal word, is used to call your attention to instructions involving your safety and/or the safety of others. Failure to follow these instructions will likely result in personal injury or death.**



**DANGER**

**This signal word is used to identify a hazard which, if not avoided, will result in death or serious injury.**



**WARNING**

**This signal word is used to identify a hazard which, if not avoided, could result in death or serious injury.**



**CAUTION**

**This signal word is used to identify a hazard which, if not avoided, could result in minor or moderate injury.**

**NOTICE**

**This signal word is used to identify a hazard which, if not avoided, could result in property or equipment damage. It also may be used for special instructions related to performance, maintenance or general items.**

# SAFETY PRECAUTIONS



## WARNING

**Failure to obey the following safety instructions could result in DEATH or SERIOUS INJURY.**

Read and understand entire manual before operating the Krack Hog.

For your safety and the safety of others, replace any missing or damaged warning decals by contacting the manufacturer at 1-800-417-9272.

Make sure anyone operating the Krack Hog is thoroughly familiar with its operation. Keep all unauthorized and untrained personnel, especially children away from Krack Hog.

Never operate equipment with safety grate, guards or safety devices removed or open. Do not alter any safety guards.

Never attempt to cut material without the table safety stops in position. Doing so allows material to leave cutting surface. This could cause injury to the operator and others as well as damage the Krack Hog.

Stay clear of blades while equipment is in operation. Keep all body parts, clothing, jewelry and solid objects away from all moving parts.

Never perform any work on the Krack Hog while it is in operation. Before working on or cleaning the Krack Hog, ensure all parts of the machine are stationary.

Never operate the Krack Hog under the influence of alcohol, drugs, or medications.

This Krack Hog has been designed and built as a splitter of man-made concrete retaining wall systems, brick pavers, and like materials and should not be used for anything other than its intended purpose.

Model	Weight
KHBS18	200 lbs. (90.72 kg)

Stay clear of moving parts while equipment is in operation.

Do not attempt to split natural quarried stone.

Do not attempt to split any type of block in excess of 100 lbs.

Do not attempt to split material less than 2" in size, as it may result in damage to the table.

Never attempt to ride the Krack Hog.

# SAFETY PRECAUTIONS



## **WARNINGS continued**

Avoid breathing dust produced while using the Krack Hog. Dust may contain crystalline silica and may cause serious health problems.

Always know the location of nearest fire extinguishers, first aid kit, and emergency personnel phone numbers in case of emergency.

## **CAUTION**

**Failure to obey the following safety instructions could result in MINOR or MODERATE INJURY.**

Inspect all fasteners, bolts and welds for nicks, cracks, cuts, damage, wear or loose-ness before each use. Repair as needed.



Always wear approved PPE, including glasses, hearing protection, hard hats, and ventilation masks when operating a Krack Hog.

Do not use the Krack Hog as a lifting device or with accessories or attachments not recommended by EZG Manufacturing, as damage to equipment or operator might result.

Avoid contact with hot hydraulic fluid.

## **NOTICE**

Use only factory authorized parts.

Used lubricants such as hydraulic oil and other hazardous materials must be taken to an authorized disposal or recycling center.

## California - Proposition 65 Warning

Engine exhaust and some of its constituents, and some dust created by power sanding, sawing, grinding, drilling, and other construction activities contains chemicals known to the State of California to cause cancer, birth defects and other reproductive harm. Some examples of these chemicals are:

Lead from lead-based paints - Crystalline silica from bricks -Cement and other masonry products -Arsenic and chromium from chemically treated lumber.

Your risk from these exposures varies, depending on how often you do this type of work. To reduce your exposure to these chemicals: ALWAYS work in a well-ventilated area, and work with approved safety equipment, such as dust masks that are specially designed to filter out microscopic particles.

## SETUP AND OPERATION INSTRUCTIONS

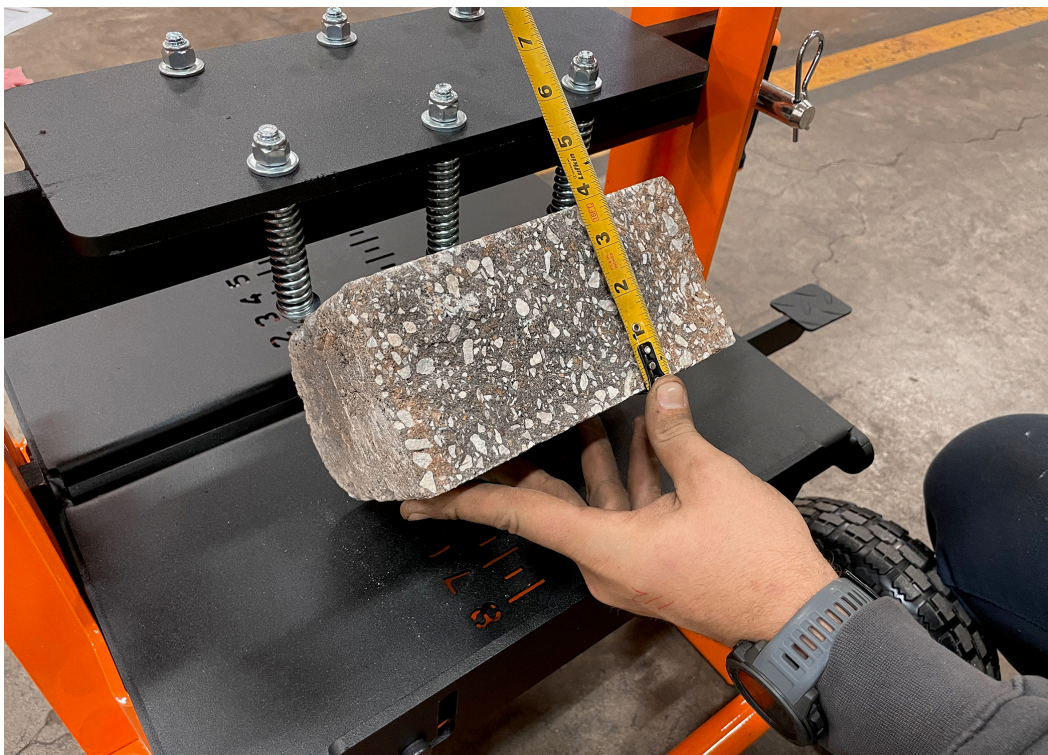
Before operating the Krack Hog, it should be properly set up on the jobsite. The Krack Hog weighs 200 lbs. (90.72 kg).

The Krack Hog is equipped with (2) wheels and two (2) handles.



**Warning! This equipment is to be operated by trained and qualified personnel over the age of 18. Death or serious injury can result.**

1. Position the Krack Hog at point of operation.
2. Measure the height of the block you are cutting before beginning. (*Figure 1*)



*Figure 1*

# SETUP AND OPERATING INSTRUCTIONS



**Warning! This equipment is to be operated by trained and qualified personnel over the age of 18. Death or serious injury can result.**

3. Set the height of the Upper Blade Assembly to match the height of your block or paver.
  - a. Remove the cotter pins from both sides of the Upper Blade Assembly.
  - b. CAUTION: Hold up the Upper Blade Assembly with one hand before proceeding to the next step.
  - c. Remove hitch pins from both sides.
  - d. Adjust the Upper Blade Assembly to the proper height on the frame.
  - e. Reinstall the hitch pins and cotter pins to the Upper Blade Assembly.
4. Place your block onto the table. Align your desired cut with the Lower Blade Assembly, keeping the block centered left to right on the table. (Figure 2)

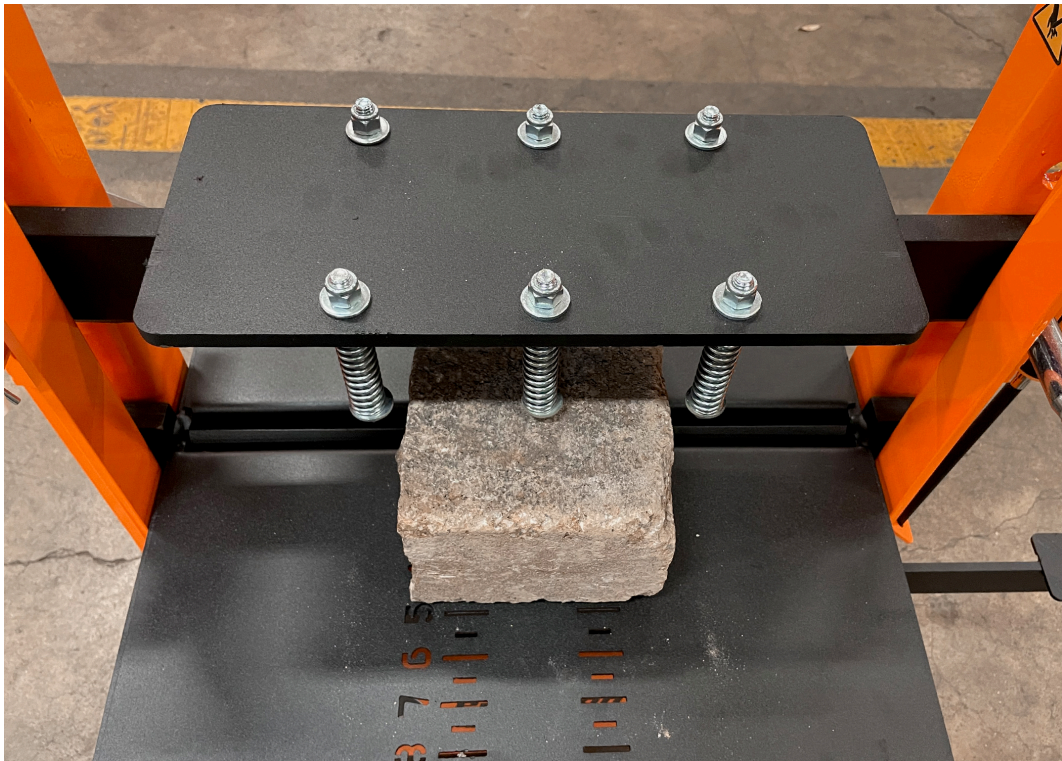


Figure 2

5. Shut the valve to the hydraulic jack by turning the adjustable flex handle clockwise to the "RAISE" position until firm resistance is felt. (Figure 3)
  - a. CAUTION: Failure to shut the valve will prevent table from raising properly.

# SETUP AND OPERATING INSTRUCTIONS



**Warning! This equipment is to be operated by trained and qualified personnel over the age of 18. Death or serious injury can result.**



*Figure 3*

6. Proceed to step on the "Quick Pedal" (small pedal) to raise the table. (*Figure 4*)



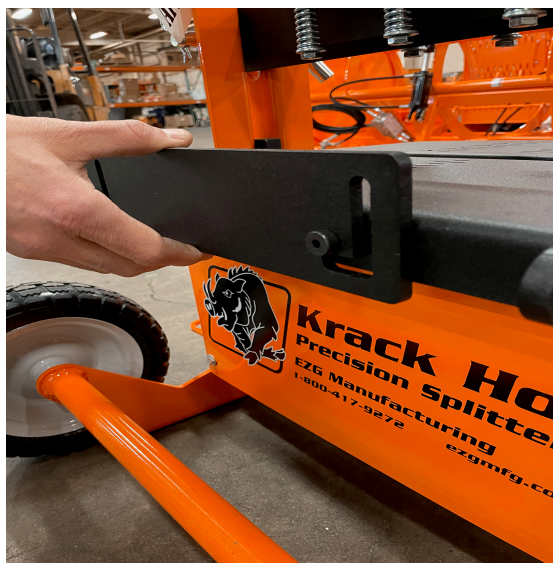
*Figure 4*



# SETUP AND OPERATING INSTRUCTIONS

 **Warning! This equipment is to be operated by trained and qualified personnel over the age of 18. Death or serious injury can result.**

7. Hold firmly until block makes contact with the Upper Blade Assembly.
8. Ensure table safety stops are in place to prevent material from leaving cutting surface. (*Figure 5*)
9. Remove your foot from the "Quick Pedal." The table will remain in the "Raised" position.
10. Depress the "Hydraulic Pedal" (large pedal) all the way down and all the way back up five (5) or more times until the block splits.
  - a. The number of compressions required to split block may depend on width of block.



*Figure 5*

## DAILY MAINTENANCE

 **WARNING! DO NOT USE BRAKE FLUID TO FILL THE HYDRAULIC PUMP. DOING SO MAY CAUSE DAMAGE TO THE PUMP SEALS.**

- Lift the table up a couple of inches and shake back and forth. This will allow loose debris or chips that have fallen in between the table and bottom blade assembly to fall free.

## TROUBLESHOOTING THE JACK

### IF THE JACK IS LEAKING OIL:

- Make sure the flex handle has not been backed out of the jack. If it has, reinsert into the jack.
- Lay jack on its side. Remove the rubber plug and refill hydraulic fluid until fluid runs out of the hole. Replace plug. Use only hydraulic jack oil or 30W non-detergent oil. Proceed with the following steps to bleed air from the jack.



# WARNING LABELS & LOCATIONS

- Two (2) Krack Hog Decals - Located on the Front and Back Panels



- One (1) U.S. Flag Decal
- One (1) Read Owner's Manual Decal



*Note: Removable handle storage*

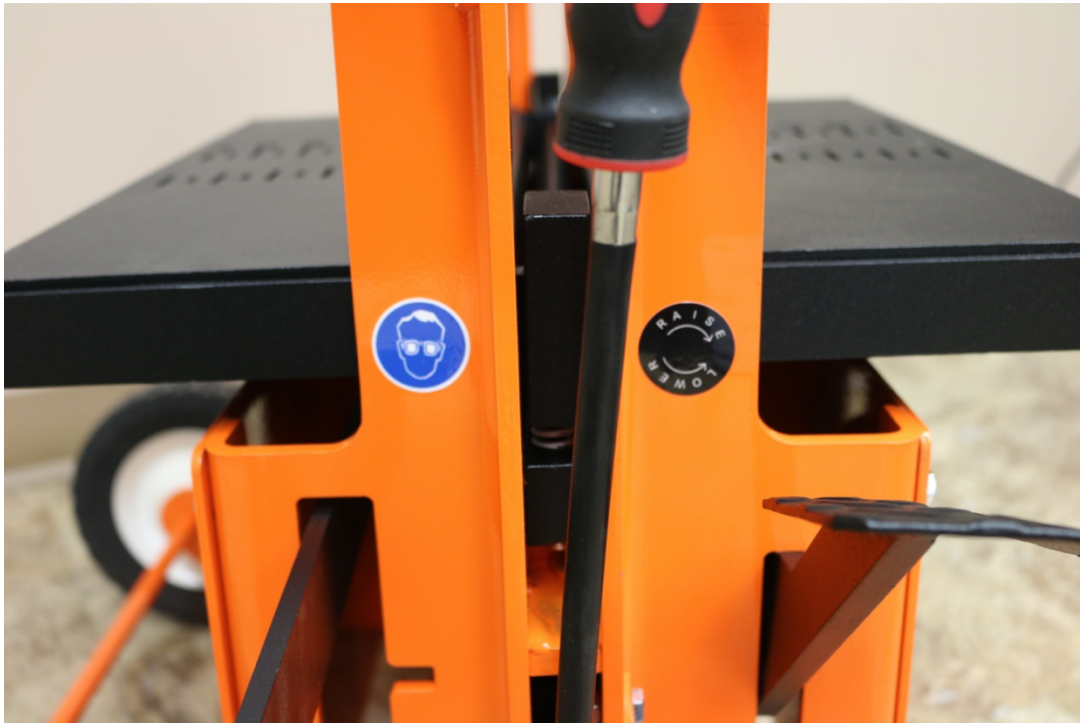
# WARNING LABELS & LOCATIONS

- One (1) Measurement Decal



# WARNING LABELS & LOCATIONS

- One (1) Safety Glasses Advisory
- One (1) Raise / Lower Decal

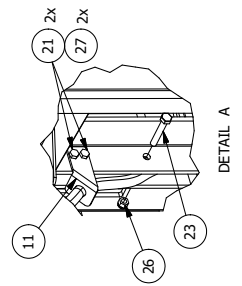
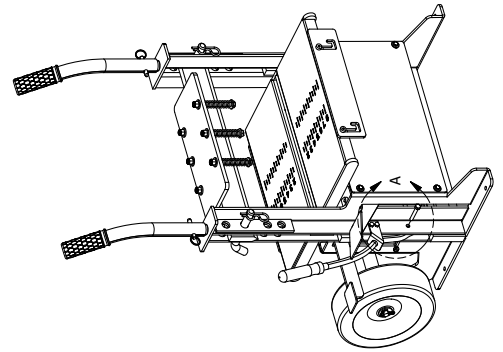
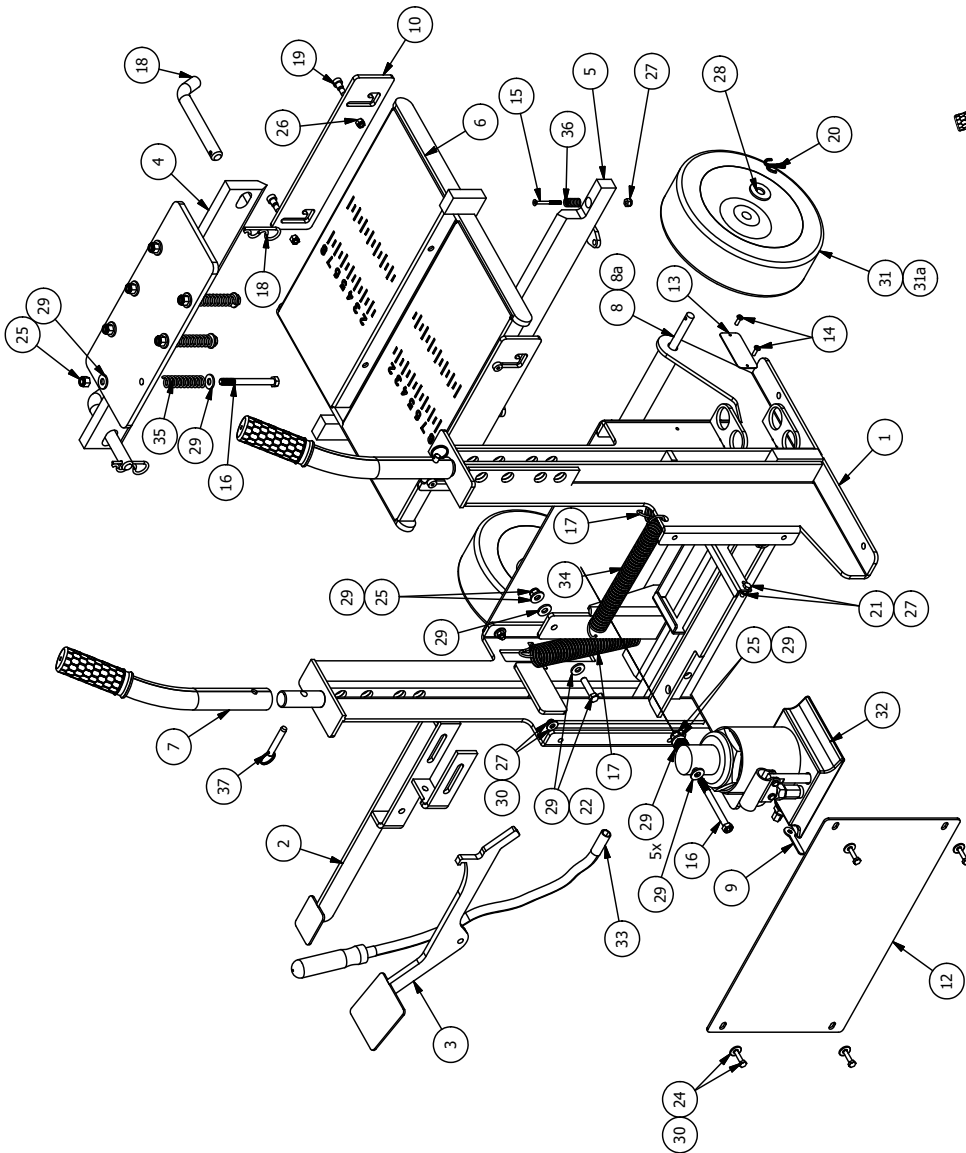


- Two (2) Finger Pinch Warning Decals, Located Above Blades



# KRACK HOG FRAME ASSEMBLY AND PARTS BREAKDOWN

PARTS LIST			
ITEM	QTY	PART NUMBER	DESCRIPTION
1	1	KH-A-1	Kracker - Frame Weldment
2	1	KH-A-4	Small Foot Pedal - Kracker (Fast Pedal)
3	1	KH-A-5	Large Foot Pedal - Kracker (Slow Pedal)
4	1	KH-A-6	Kracker - Upper Knife Welded Assembly
5	1	KH-A-7	Kracker - Bottom Knife Welded Assembly
6	1	KH-A-9	Kracker - 18" Wide Table Weldment
7	2	KH-A-10	Removable Handle w/Grip
8	1	KH-506	Axle 1/2" Dia. For 10" Wheel (417+)
8a	1	KH-504	Axle 1/2" Dia. For 8" Wheel (1-416)
9	1	KH-47	Jack Screw Stop
10	2	KH-42	Kracker Hog - Table Safety Stop
11	1	KH-25	Kracker - Valve Cable Guide
12	2	KH-3	Kracker - Guard
13	1	20-126	Blank Metal Plates
14	2	20-105	Rivets for Name Plates & Hood Straps
15	2	09-3183	1/4"-20 x 6 1/2 GRS Bolt
16	7	09-3070	3/8"-16 x 4" Hex Head Screw
17	2	09-823	Extension Spring, .969 OD x 6"
18	2	09-425	10332 Bent Pin 3/4 x 4 1/2"
19	4	09-361	3/8 x 3/8" x 5/16" Thread Shoulder Scr
20	2	09-337	3/16" x 1 1/2" Cotter Pin
21	3	09-322	1/4" - 20 x 3/4" GRS Bolt
22	1	09-308	3/8"-16 x 2" GRS Bolt
23	1	09-305	5/16"-18 x 2" GRS Bolt
24	8	09-301	1/4"-20 x 1" GRS All Thread Bolt
25	8	09-204	3/8"-16 Nylon Nut
26	5	09-202	5/16"-18 Nylon Nut
27	13	09-200	1/4"-20 Nylon Nut
28	2	09-107	1/2" Flat Washer
29	22	09-105	5/16" Flat Washer
30	16	09-104	1/4" Flat Washer
31	2	07-190	10" Flat Free Tire-Krack Hog (417+)
31a	2	03-105	8" Flat Free Tire (1-416)
32	1	56370	12 Ton Jack For Krack Hog
33	1	8009623	24" Extra-Long Flex Shaft Driver-KrackHog
34	1	DWE-094J-6.17	Extension Spring for Kracker
35	6	DWC-112I-14	Compression Spring (Krack Hog Top Blade)
36	2	MH062-100	Die Spring for Kracker (Bottom Knife)
37	2	98320A375	3/8 x 1 1/2 Quick Release Pin







## Warranty

***EZG Manufacturing (“EZG”) warrants its products to be free of defects in material or workmanship that develop under normal use for two years.***

Warranty period begins on the IN-SERVICE date (date of purchase by the end user of the product, date placed in service by a rental operator, or date of any utilization). All warranty is based on the following limited warranty terms and conditions, including the disclaimer of implied warranties and consequential damages. **Warranty registration is required to establish the in-service date and for the warranty to become effective.**

### **EZG Limited Warranty & Limitation of Liability Terms:**

1. EZG obligation and liability under this warranty is limited to repairing or replacing parts if, after EZG’s inspection, there is determined to be a defect in material or workmanship. EZG reserves the choice to repair or replace.
2. If EZG chooses to replace the part, it will be at no cost to the customer and will be made available to the EZG Distributor, Dealer, or Rental Center from whom the End User purchased the product.
3. Replacement or repair parts, installed in the product, are warranted only for the remainder of warranty period of the product as though they were the original parts.
4. EZG does not warranty engines. Engine warranty claims should be made directly to an authorized factory service center for the particular engine manufacturer.
5. EZG’s warranty does not cover the normal maintenance of products or its components (such as engine tune-ups and oil & filter changes). The warranty also excludes normal replaceable wear items, i.e. gaskets, wear parts, seals, O-rings, belts, drive chains, clutches, etc. unless such items are deemed to fail due to defective material or workmanship.
6. EZG’s warranty will be void if it is determined that the defect resulted from operator abuse, failure to perform normal maintenance on the product, use of non-manufacturer parts, or failure to follow documented service instructions, alterations or modifications made to the product without the written approval of EZG.
7. EZG will pay shop labor on warranty items at the EZG Shop Labor Rate in existence on the date of the warranty claim. EZG technician will determine the time allowed to complete a repair which will govern the shop labor hours to be allowed.
8. EZG will pay freight on warranty replacement parts at worldwide standard ground rates. No warranty replacement parts will be shipped air freight at the expense of EZG. EZG only pays outbound freight charges when sending warranty replacement parts to the customer via ground service. EZG does not pay any inbound freight. However, if EZG determines this to be a warranted item, EZG will then reimburse the customer for inbound freight at standard ground rates.
9. The EZG WARRANTY POLICY WILL NOT COVER THE FOLLOWING: TAXES; SHOP SUPPLIES; ENVIRONMENTAL SURCHARGES; AIR FREIGHT; TRAVEL TIME; LOSS OF TIME; INCONVENIENCE; LOSS OF RENTAL REVENUE; RENTAL COSTS OF EQUIPMENT USED TO REPLACE THE PRODUCT BEING REPAIRED; LOSS OF USE OF THE PRODUCT; COMMERCIAL LOSS; OR ANY OTHER CHARGES WHATSOEVER OR ANY LIABILITIES FOR DIRECT, INCIDENTAL, OR CONSEQUENTIAL DAMAGE OR DELAY.
10. EZG MANUFACTURING MAKES NO OTHER WARRANTY, EXPRESSED OR IMPLIED. THIS LIMITED WARRANTY IS IN LIEU OF THE WARRANTY OF MERCHANTABILITY AND FITNESS. THERE ARE NO OTHER WARRANTIES THAT EXTEND BEYOND THE DESCRIPTION ON THIS DOCUMENT.
11. No EZG Manufacturing employee or representative is authorized to change this warranty in any way or grant any other warranty unless such change is made in writing and signed by an officer of EZG Manufacturing.



**WARRANTY REGISTRATION IS REQUIRED TO ESTABLISH THE IN-SERVICE DATE AND FOR THE WARRANTY TO BE EFFECTIVE.**

*(some specialty equipment is exempted, or limitations may apply)*



Fax Warranty Registration form to 740-962-2037 or submit online at [www.ezgmfg.com](http://www.ezgmfg.com) by clicking on "Resources" then "Warranty", lastly you can click on the orange "Click Here to Register" button

## WARRANTY REGISTRATION

CONTACT: \_\_\_\_\_

COMPANY: \_\_\_\_\_

ADDRESS: \_\_\_\_\_

CITY: \_\_\_\_\_ STATE: \_\_\_\_\_ ZIP: \_\_\_\_\_

TEL: (\_\_\_\_) \_\_\_\_\_ - \_\_\_\_\_ FAX: (\_\_\_\_) \_\_\_\_\_ - \_\_\_\_\_ CELL: (\_\_\_\_) \_\_\_\_\_ - \_\_\_\_\_

EMAIL: \_\_\_\_\_

PURCHASED FROM:  Direct  Distributor: \_\_\_\_\_

PURCHASE DATE: \_\_\_\_\_ SERIAL NO. \_\_\_\_\_

**PLEASE COMPLETE THIS WARRANTY CARD, AND RETURN VIA MAIL, FAX, OR E-MAIL, WITHIN 30 DAYS OF PURCHASE TO VALIDATE YOUR MANUFACTURER'S WARRANTY FOR ALL EZG MANUFACTURING PRODUCTS.**

**WARRANTY PROVISIONS OF THIS MACHINE ARE HANDLED DIRECTLY THROUGH THE MANUFACTURER.**

**EZG MANUFACTURING \* 1833 North Riverview Road, Malta, OH 43758 \***

**PHONE 1-800-417-9272 \* Email: [warranty@ezgmfg.com](mailto:warranty@ezgmfg.com) \* FAX 740-962-2037**

*Please take a minute to fill out the survey below so that we can better serve our customers.*

## EZ Survey

**1. WHERE DID YOU FIRST HEAR ABOUT EZG MANUFACTURING? (CHECK ONE)**

Masonry Magazine  Website  Newsletter  Referral  Masonry Construction

Other: \_\_\_\_\_

**2. WHAT INFLUENCED YOU TO BUY?  QUALITY  PRICE  EASY TO USE  OTHER**

**3. WHO IS YOUR SALES REPRESENTATIVE? \_\_\_\_\_**

**4. ARE YOU SATISFIED WITH THE CUSTOMER SERVICE YOU RECEIVED?  YES  NO**

**Explain:** \_\_\_\_\_

\_\_\_\_\_

**5. WHAT OTHER EZG MANUFACTURING PRODUCTS DO YOU OWN?**

\_\_\_\_\_

\_\_\_\_\_

**6. WOULD YOU LIKE TO BE FEATURED IN OUR NEWSLETTER?  YES  NO**

**If yes, where can we reach you and what is the best time?**

\_\_\_\_\_

**Comments:** \_\_\_\_\_

\_\_\_\_\_

\_\_\_\_\_