

OUTDOOR LIGHTING

EVO HYDE 180 C



GENERAL

EVO HYDE 180 C
Article number _____ 110250100
Category _____ indirect
Light source _____ LED
Color changing _____ no
Warranty _____ 5 years

DIMENSIONS

Length _____ 180 mm / 7.09"
Width _____ 16 mm / 0.63"
Height _____ 22 mm / 0.87"
Diameter _____ -
Total height _____ -
Recess depth _____ -

ELECTRONICS

Voltage _____ 12V AC
Output _____ 1.0 Watt
VA _____ 1.0
Power factor _____ 1
Light source _____ 12x SMD-LED 0.06W
Lifetime _____ 25000 hours
Energy label _____ G
Dimmable _____ no
Length of cable lead _____ 600 mm / 24"

LIGHT SPECIFICATIONS

Color temperature _____ 2850 K
CRI (RA) _____ 93
Luminous intensity _____ 17.30 Cd
Light beam 0-180 _____ 64°
Light beam 90-270 _____ 91°
Net luminous flux _____ 28 lumen
Luminous efficiency _____ 28 lumenwatt

MATERIAL

Ring Plate _____ -
Lens _____ acrylic (PMMA)
Exterior _____ aluminium
Easy Lock included _____ yes
Installation hardware included _____ yes

AVAILABLE PRODUCT COLORS

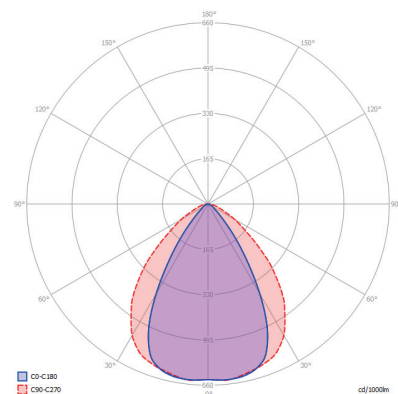
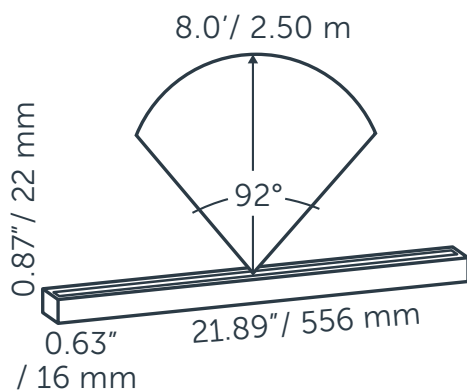
■ Black

AVAILABLE ACCESSORIES

FIX 3, FIX 4

PROTECTION RATING

IP : 53



ILLUMINANCE - CONE OF LIGHT		
CENTER BEAM (FC)	BEAM DIAMETER (FT)	DISTANCE (FT)
3	3.06	2.5
1	4.29	3.5
1	5.52	4.5
1	6.74	5.5
0	7.97	6.5
0	9.19	7.5

Beam angle (0-180°): 63°
edge illuminance is 1/2 of Centre beam

ILLUMINANCE - CONE OF LIGHT		
CENTER BEAM (FC)	BEAM DIAMETER (FT)	DISTANCE (FT)
3	5.00	2.5
1	7.00	3.5
1	9.00	4.5
1	11.00	5.5
0	13.00	6.5
0	15.00	7.5

Beam angle (90-270°): 90°
edge illuminance is 1/2 of Centre beam

12 VOLT



in-lite®