

# Ovation Fire Pit

Every season is the season for the Ovation. Easily installed, the Ovation can create warmth and ambiance at your home tonight.

**nicolock**<sup>®</sup>  
PAVING STONES • RETAINING WALLS • OUTDOOR LIVING  
**paver-shield**<sup>™</sup>

Fire Pits | Fireplaces

- LIGHT WEIGHT
- CAN BE USED ON DECKS
- SELF SUPPORTING
- MODULAR DESIGN
- QUICK INSTALLATION
- ENGINEERED SPECIFICALLY FOR OUTDOOR ELEMENTS



*Ny Bluestone  
Ledge Stone*



# Ovation Fire Pit

	BASE	TOP	HEIGHT	LBS/PALLET
<b>A</b> WITHOUT TOP	40" DIAMETER	44" DIAMETER	18"	345
<b>B</b> WITH TOP			19½"	



**CHOOSE YOUR TEXTURE:**



**BARN WOOD\***



**LEDGE STONE**



**STACKED STONE**

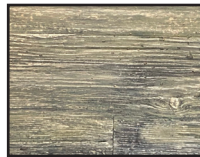
**CHOOSE YOUR COLOR:**



**BISCOTTI TAN**



**NY BLUESTONE**



**WEATHERED WOOD**

**CHOOSE YOUR TOP:**



**BLUESTONE**

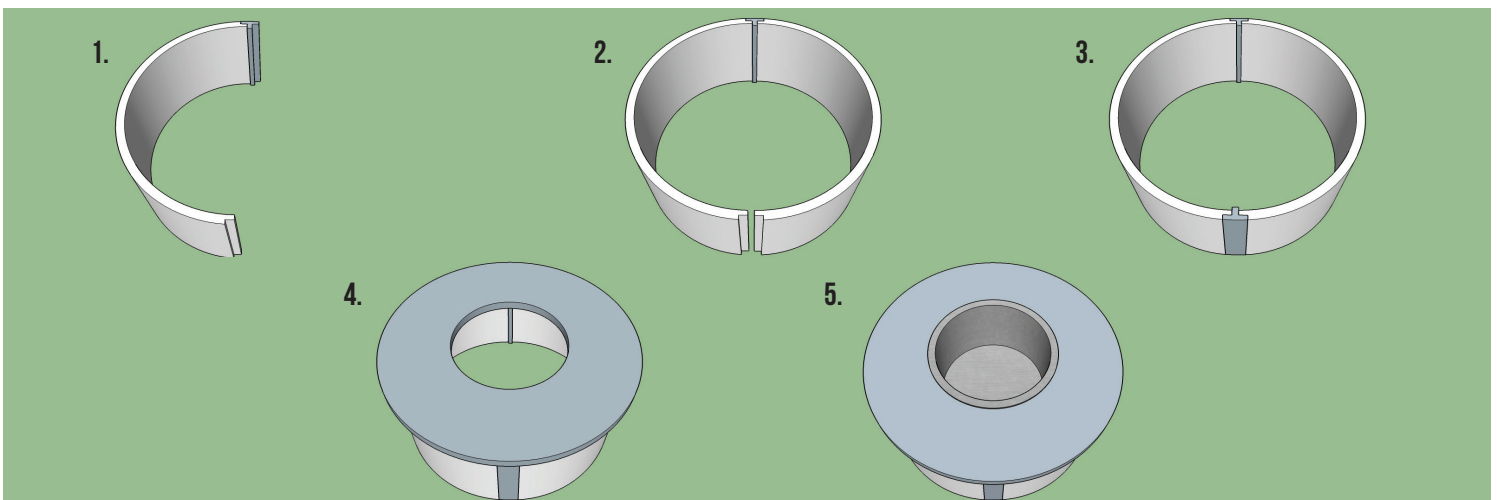


**BROWN**

## VERTICAL PANEL TECHNOLOGY

Vertical Panel Technology is the smart alternative to block and stone masonry. Reinforced concrete panels and an easy installation process makes constructing outdoor living spaces quick and affordable. This technology enables you to choose the texture, profile and color palette to fit the natural landscape of any backyard or outdoor setting. Reduce material waste and environmental impact, while delivering the highest quality vertical masonry structures.

\*Barn Wood texture available in Rustic Brown (color shown in texture swatch) and Weathered Wood colors. Stone textures available in Biscotti Tan and NY Bluestone colors.



for larger install images, please email [info@nicolock.com](mailto:info@nicolock.com)

