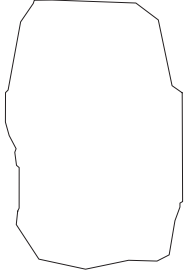




# MAYA

**DESCRIPTION:** Step **TEXTURE:** Natural stone (Slate)

## PALLET OVERVIEW



## NOTES

\*For an authentic look, each color option is composed of a variety of darker & lighter tones. Natural ingredients such as granite are present within the recipe to allow for a range in tones, veining and textures from one stone to another.

To achieve a natural appearance, product dimensions can vary  $\pm 3/16"$  (5 mm) for height and  $\pm 1/2"$  (13 mm) for length and width.

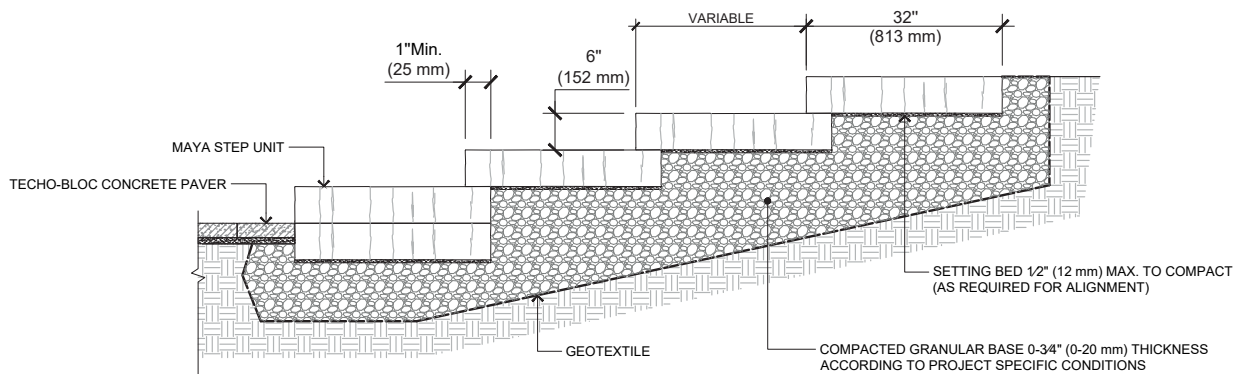
Specifications per pallet*	Imperial	Metric
Cubing	<b>1 unit</b>	1 unit
Approx. Weight	715 lbs	324 kg
Number of rows	1	
Coverage (Approx.)	10.6 ft <sup>2</sup> /unit	0.98 ft <sup>2</sup> /unit
Linear coverage per row (Approx.)	4 lin. ft	1.22 lin. m.

Specifications per pallet**	Imperial	Metric
Cubing	<b>4 units</b>	4 units
Approx. Weight	2 550 lbs	1 157 kg
Number of rows	4	
Coverage (Approx.)	16 lin. ft	4.88 lin. m.
Linear coverage per row (Approx.)	4 lin. ft	1.22 lin. m.

Unit dimensions	in		mm		Units/pallet
	in	mm	in	mm	
Height	6	152	1 unit*		
Depth	32	813	4 units**		
Length	48	1 219			



\*Available while quantities last  
\*\*New packaging - Available Summer 2023



Chocolate Brown    Rock Garden Brown    Riviera



PLEASE REFER TO P.4 FOR THE CORRECT USE AND LIMITATIONS OF PROVIDED TECHNICAL INFORMATION.