



LUMI FIREBOWL

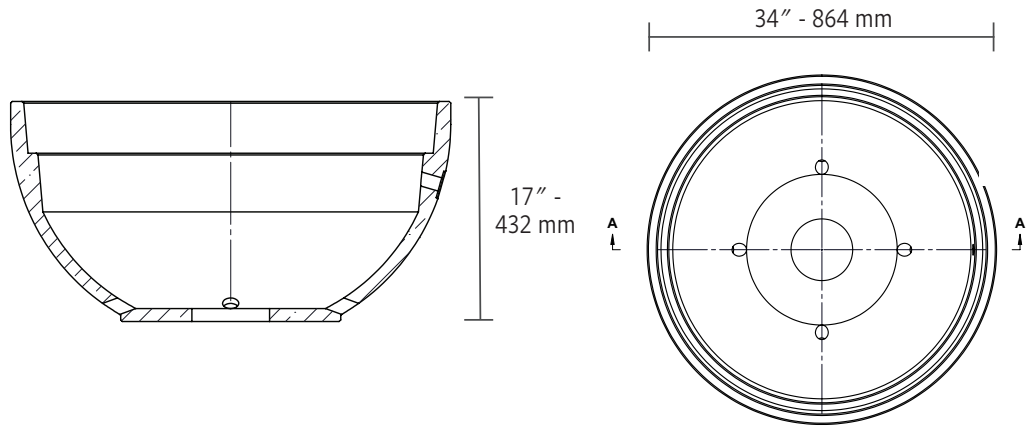
NOTES

Includes:

Burner, pan, Dante valve, lava rock and canvas-style cover.

Specifications per pallet	Imperial	Metric
Approx. Weight	395 lbs	179 kg
Overall Height	17 in	432 mm
Exterior Diameter	34 in	864 mm
Interior Diameter	31 in	787 mm

OUTDOOR
FEATURES



Warm Grey

