

STEPS & CAPS

STEPS, CAPS (WALLS, COUNTERS AND PILLARS),
POOL COPPING & OVERLAY SYSTEMS



COMPATIBILITY CHART

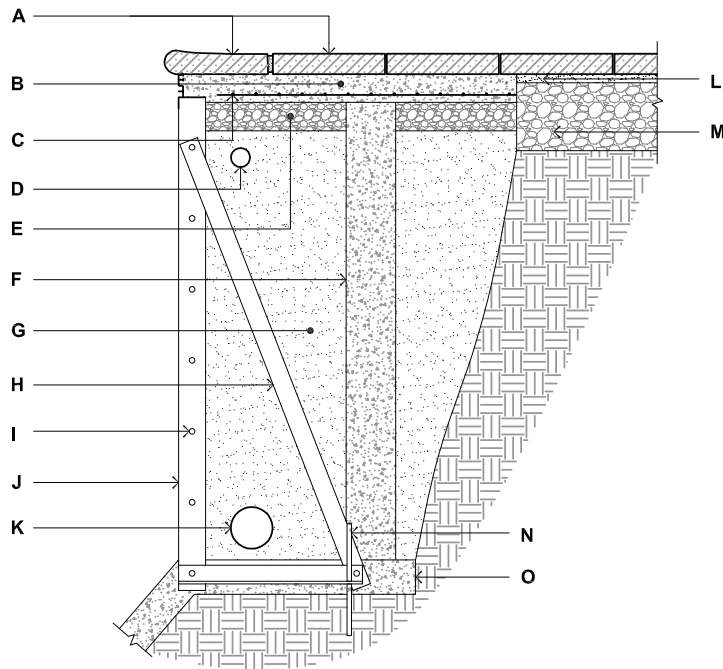
Walls & Pillars	Caps														
	Architectural cap	Brandon cap	Bullnose	Bullnose Grande	Graphix cap	Pacific cap	Piedimonte	Piedimonte 28" x28"	Portofino	Raffinato 60 mm	Raffinato 90 mm	Travertina Raw 14" x28"	York	York 28" x28"	York 32" x32"
Borealis (does not require a cap)															
Brandon 90 & 180 mm		x	x	x		x	x		x	x	x	x	x		
Brandon 90 & 180 mm pillar								x		x	x	x		x	
Fascia Wall Collection - single-sided	x	x	x	x	x	x	x		x	x	x	x	x		
Fascia Wall Collection - double-sided									x						
G-Force					x		x			x	x	x			
Graphix					x		x			x	x	x			
Mini-Creta Collection	x	x	x	x		x	x		x	x	x	x	x		
Mini-Creta Pillar 24" Collection								x		x	x	x		x	
Prescott Collection							x		x	x	x	x	x		
Prescott Pillar Collection								x		x	x	x		x	
Raffinato Collection				x	x		x			x	x	x			
Raffinato Pillar Collection								x		x	x	x			
Röcka (does not require a cap)															
Semma	x	x	x		x	x	x		x	x	x	x	x		
Semma Pillar										x		x			x
Skyscraper										x	x				
Travertina Raw	x	x	x	x	x	x	x		x	x	x	x	x		
Travertina Raw pillar										x	x	x		x	

NOTE: The combinations shown in this chart are not complete. Other possible combinations exist.

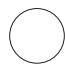
Applications	Caps																				
	Architectural cap	Bali Travertina Raw	Brandon cap	Bullnose	Bullnose Grande	Graphix cap	Pacific cap	Piedimonte 14" x30"	Piedimonte 28" x28"	Portofino	Raffinato 60 mm	Raffinato 90 mm	Travertina Raw 14" x28"	York wall caps 16", 32", 48"	York 14" x48"	York 24" x36"	York 28" x28"	York 32" x32"	Blu 45 mm	Venetian	
Step	x		x	x	x	x		x		x	x	x	x	x	x						
Concrete & step overlay system							x												x	x	
Pool coping		x		x	x		x	x		x	x	x	x	x							
Wall single-sided	x		x	x	x	x	x	x		x	x	x	x	x	x						
Wall double-sided	x					x		x		x	x	x	x	x	x						
Counter top								x	x					x			x	x			
Pillar								x		x			x				x	x			

INSTALLATION GUIDE

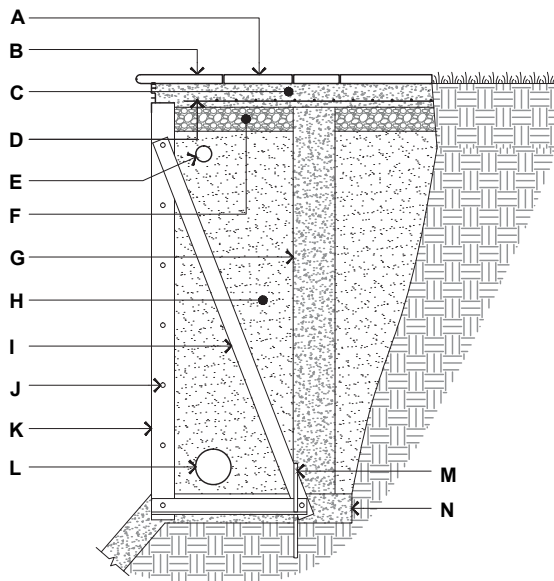
POOL COPING



- A.** TECHO-BLOC POOL COPING AND PAVER SECURED TO CONCRETE SLAB WITH FLEXLOCK ADHESIVE OR MORTAR
- B.** CONCRETE DECK 39" (1 m) WIDE BY 4" (100 mm) THICK MIN.
- C.** WELDED WIRE MESH, 6 X 6 - W1.4/W1.4 (152 X 152 MW9.1 X MW9.1)
- D.** POOL PLUMBING PIPING
- E.** CLEAN STONE 3/4" (20 mm), 2" (50 mm) THICK MIN.
- F.** CONCRETE PILLAR, 6" (150 mm) DIAM.
- G.** SAND BACKFILL
- H.** STRUT
- I.** POOL PANEL
- J.** POOL LINER
- K.** PERFORATED DRAIN, 4" (100 mm) DIAM. WRAPPED WITH A GEOTEXTILE
- L.** BEDDING COURSE, 1" (25 mm)
- M.** COMPACTED GRANULAR BASE 0-3/4" (0-20 mm)
- N.** STEEL ROD 3/8" (10 mm) ANCHORED TO SUBGRADE
- O.** CONCRETE FOOTING, 4" (100 mm) THICK MIN.

 **POOL COPING INSTALLATION**
Typical cross section

PACIFIC POOL COPING

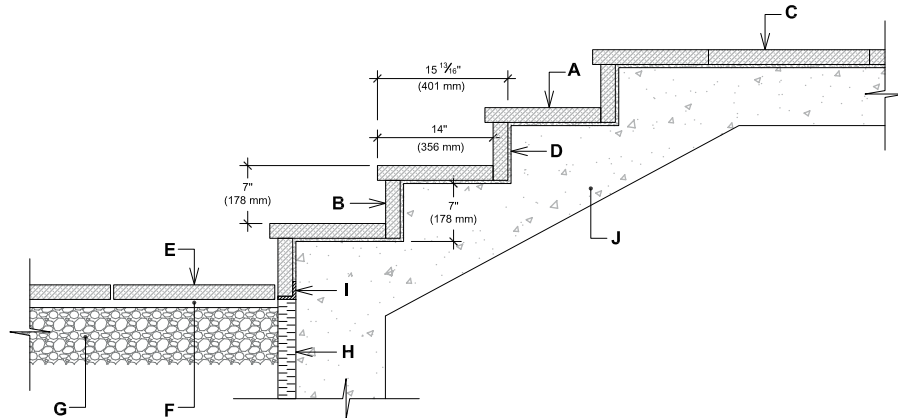


- A.** TECHO-BLOC PACIFIC SLAB SECURED TO CONCRETE SLAB WITH FLEXLOCK ADHESIVE OR MORTAR
- B.** TECHO-BLOC PACIFIC CAP SECURED TO CONCRETE SLAB WITH FLEXLOCK ADHESIVE OR MORTAR
- C.** CONCRETE DECK 39" (1 m) WIDE BY 4" (100 mm) THICK MIN.
- D.** WELDED WIRE MESH, 6X6-W1.4/W1.4 (152 X 152 MW9.1 X MW9.1)
- E.** POOL PLUMBING PIPING
- F.** CLEAN STONE 3/4" (20 mm), 2" (50 MM) THICK MIN.
- G.** CONCRETE PILLAR, 6" (150 mm) DIAM.
- H.** SAND BACKFILL
- I.** STRUT
- J.** POOL PANEL
- K.** POOL LINER
- L.** PERFORATED DRAIN, 4" (100 mm) DIAM.
- M.** STEEL ROD 3/8" (10 mm) ANCHORED TO SUBGRADE
- N.** CONCRETE FOOTING, 4" (100 mm) THICK MIN.

INSTALLATION GUIDE

OVERLAY OF EXISTING CONCRETE STEPS VENETIAN CAP, RISER AND SLAB BLU 45 mm

OPTION 1: 7" (178 mm) HIGH RISER

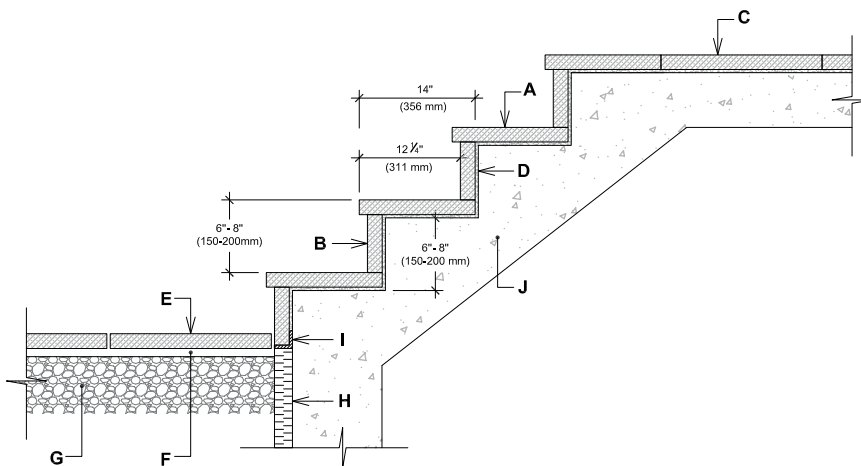


- A.** Venetian Cap
- B.** Venetian Riser (cut if the riser height is less than 7")
- C.** Blu 45 mm Slab (3 sizes)
- D.** Flexlock Adhesive
- E.** Techo-Bloc Pavers or Slabs
- F.** Setting bed
- G.** Compacted granular base 0-3/4" (0-20 mm)
- H.** Rigid insulation
- I.** Steel angle anchored to concrete
- J.** Concrete stairway

STEP OVERLAY SYSTEM INSTALLATION

Typical cross section

OPTION 2: 5 7/8" (150 mm) TO 7 7/8" (200 mm) HIGH RISER



- A.** Venetian Cap
- B.** Sawn Venetian Riser (depending on the height of the riser)
- C.** Blu 45 mm Slab (3 sizes)
- D.** Flexlock Adhesive
- E.** Techo-Bloc Pavers or Slabs
- F.** Setting bed
- G.** Compacted granular base 0-3/4" (0-20 mm)
- H.** Rigid insulation
- I.** Steel angle anchored to concrete
- J.** Concrete stairway

STEP OVERLAY SYSTEM INSTALLATION

Typical cross section